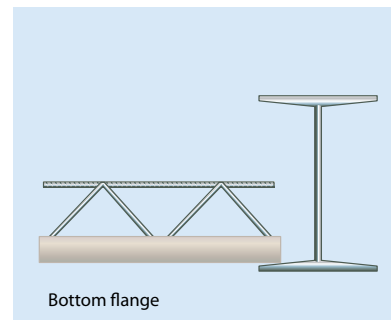
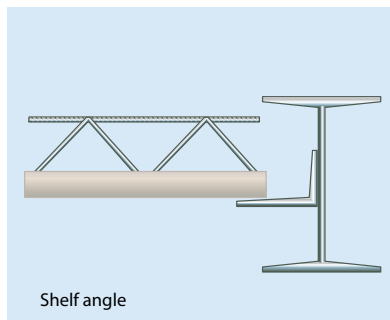
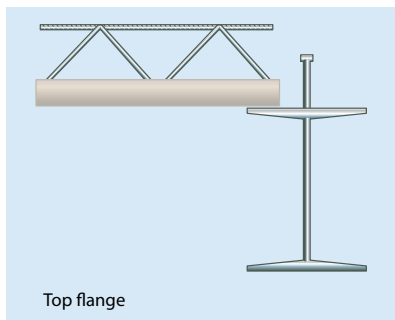
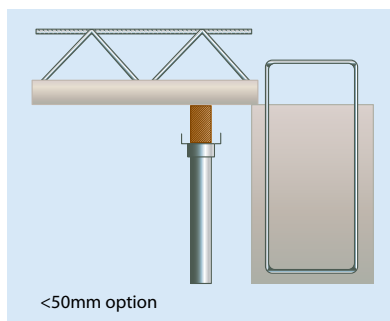
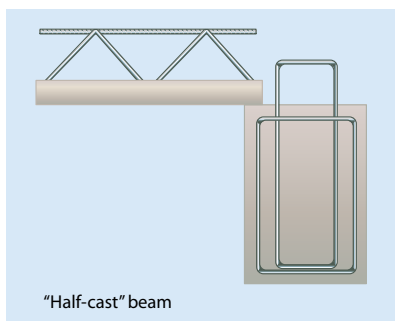


Standard details

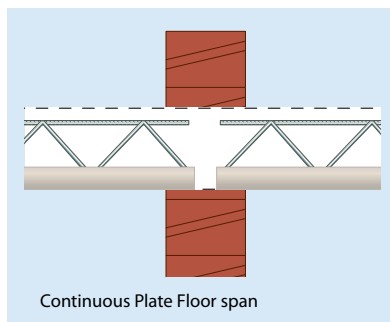
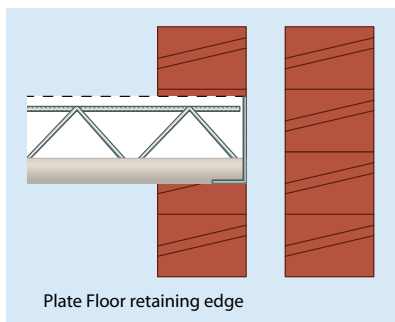
Bearing on steelwork



Bearing on in-situ concrete



Bearing on masonry



Pekso Precast

UK Office - Euromin Ltd

Maritime House
 Basin Road North
 Hove East Sussex
 BN41 1WR
 ☎ 01273 704970
 📠 01273 704971
 ✉ sales@euromin.co.uk
 www.euromin.co.uk

Head Office Sales

Postbus 19
 4530 AA Terneuzen
 The Netherlands
 ☎ 0031 (0)115 68 09 11
 📠 0031 (0)115 61 32 42
 ✉ info@peksoprecast.co.uk
 www.peksoprecast.co.uk